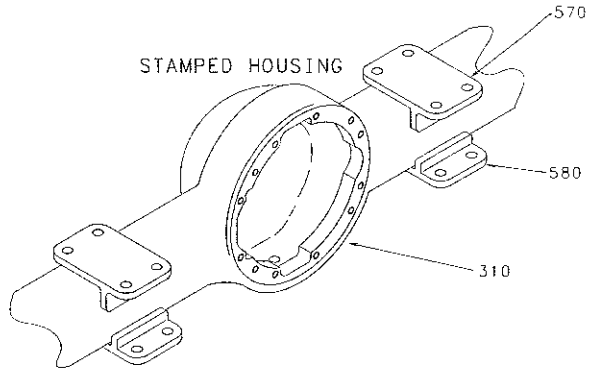
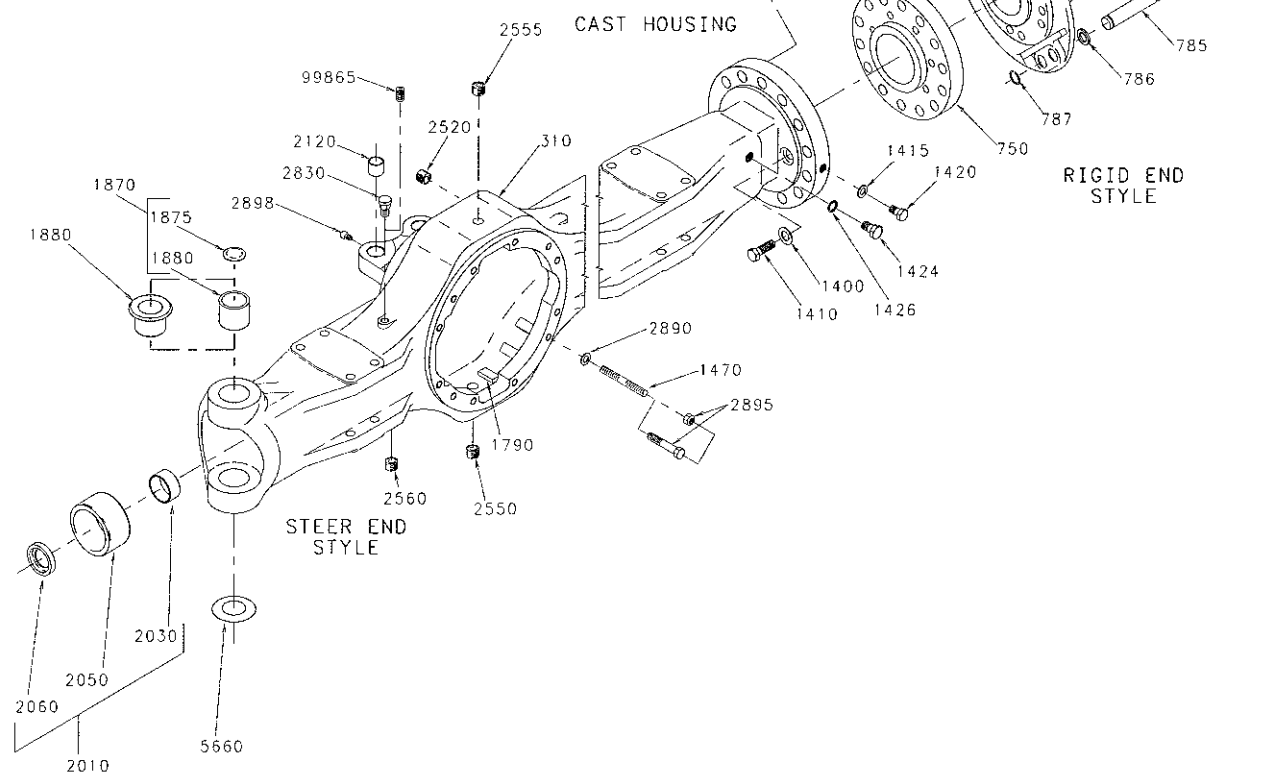
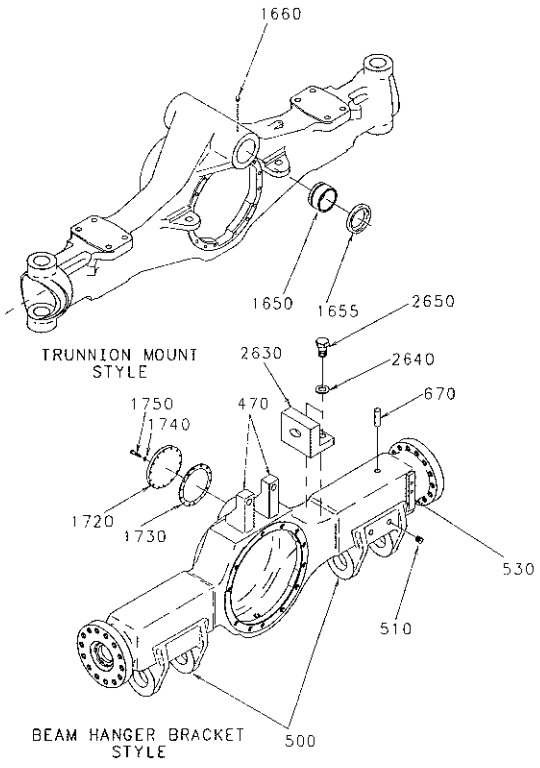


REVISIONS		
A	RELEASE EVH00S FOR PRODUCTION	5/4/03 DMK
B	REVISED SEQUENCE NUMBERS ON CARRIER TO HOUSING KIT AND WASHER	12-11-00 DMK
C	ADDED S30, 2555 & 2560	7/8/75 TGL
D	ADDED STAMPED HOUSING 430, 470, 770, 790, 835, 2549, 2640 & 2650	8/20/04 TGL
E	ADDED BRAKE SPIDER INTEGRAL SPINDLE AND RELATED COMPONENTS	11-13-02 TGL
F	REMOVED MULTIPLE CALLOUT ITEMS	10/26/04 DMK



ALTERNATE MOUNTING DESIGNS AND HARDWARE



NOTES:
 -SEE B/W FOR LOCATION/APPLICATION OF SEALANTS AND ADHESIVES
 -ITEMS SHOWN MAY NOT BE INCLUDED IN YOUR AXLE. CONSULT B/W FOR ITEMS IN YOUR AXLE.
 -COMPONENT FEATURES ARE GENERIC AND MAY NOT REFLECT EXACT GEOMETRY

DO NOT CHANGE MANUALLY
 CAD CAM CENTER-TROY

APPLY SPECIFIED AXLETECH MARKINGS FOR ENGINEERING STANDARD 4-66897		THIS PRINT IS LOANED BY A CONFIDENTIAL PARTNER SUBJECT TO RETURN WITHIN 30 DAYS. NO REPRODUCTION OR DISSEMINATION WITHOUT PERMISSION OF AXLETECH		PROCESS		DESIGNED BY PHILIPPE		CHECKED BY TGL		DATE 08-22-00		SCALE 1:1		DESIGN CENTER GROUP OFF (RELOCATED)		PART NO. EVH00S		8224	
HOUSING GROUP										AXLETECH International		INCH							